

**LEGEND**

- EXTERNAL LIGHTING DUCT  $\phi$ 100mm (RED)
- LED LANTERN, 22W, 3400lm, 4000K DW50 DISTRIBUTION ON 6m POLE
- MANHOLE FOR DRAWING WIRES, ACCESS AND MAINTENANCE.
- ESB MINIPILLAR "n"
- PL MICROPILLAR "n"

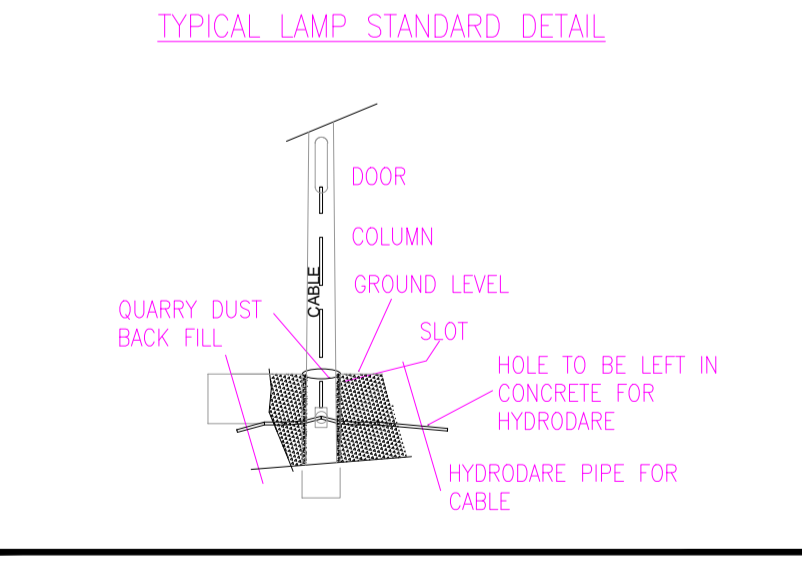
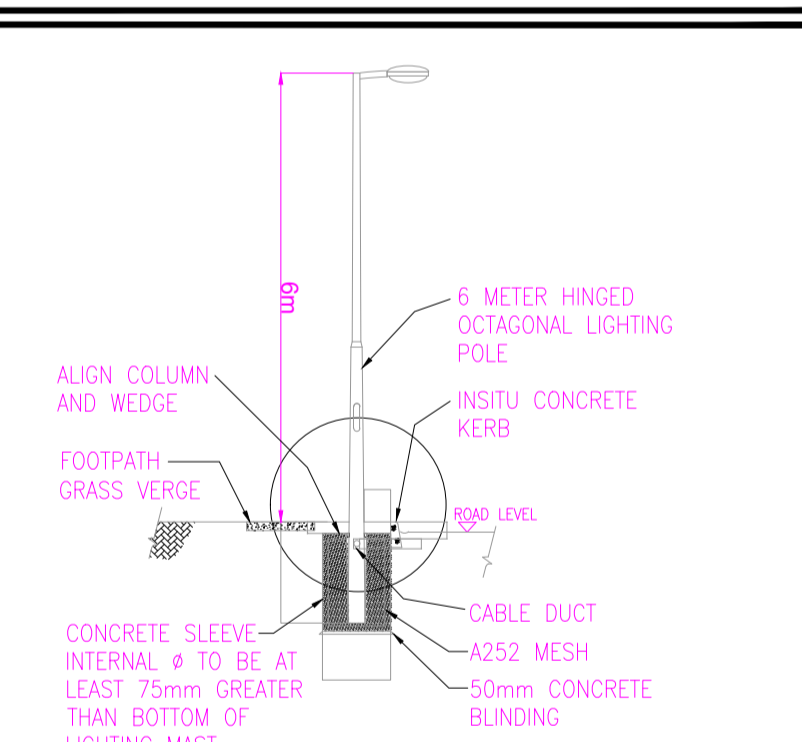
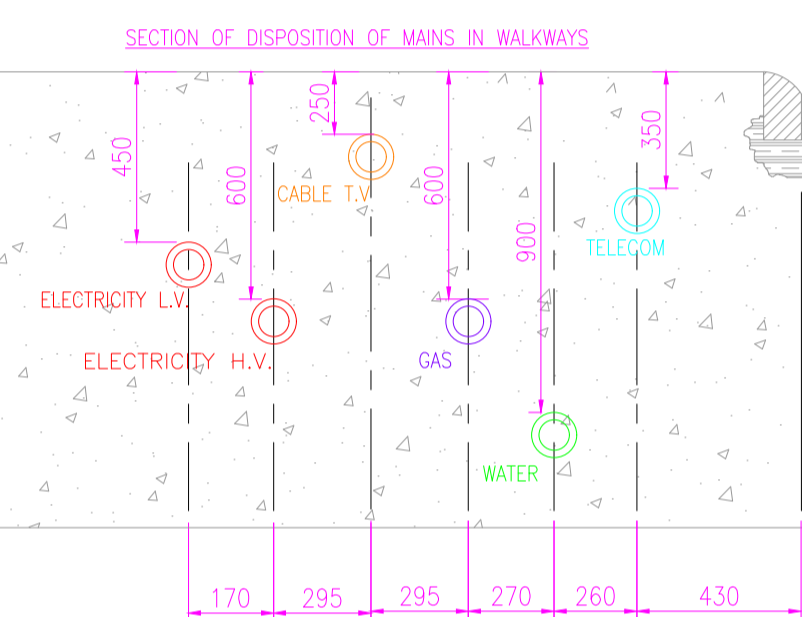
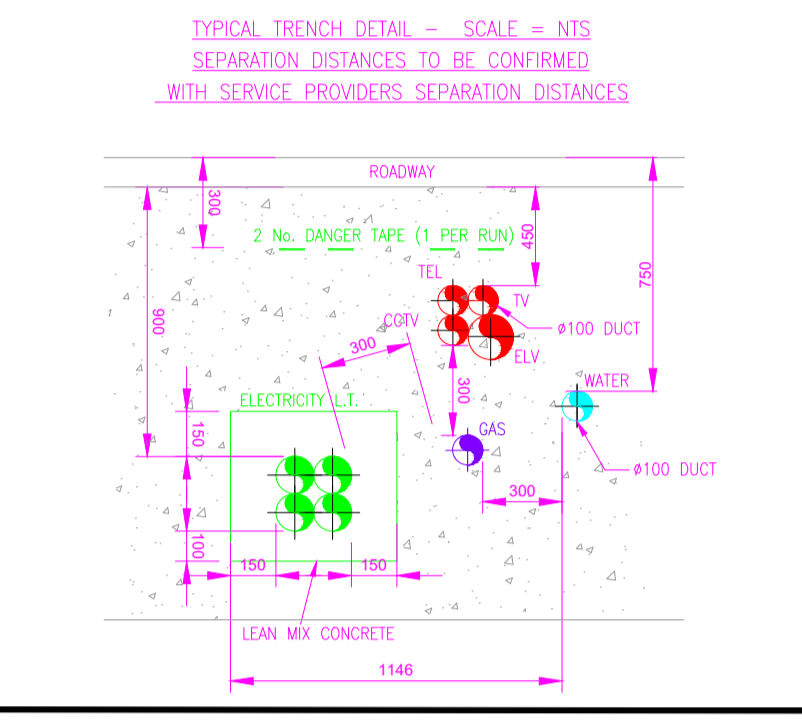
**NOTES:**

**GENERAL NOTES:**

- THIS DRAWING TO BE READ IN CONJUNCTION WITH ALL RELEVANT ARCHITECTS, C&S ENGINEERS DRAWINGS & SPECIFICATIONS.
- ALL WORKS TO BE CARRIED OUT IN ACCORDANCE WITH THE RELEVANT BUILDING REGULATIONS.
- DO NOT SCALE - WORK TO FIGURE DIMENSIONS ONLY.

**PROJECT NOTES:**

- ALL DUCT COVERS TO BE UNBRANDED.



**IHEEM**

**ENGINEERS IRELAND**  
cpd ACCREDITED COMPANY

Rev.	Date	Description	Dwn.	Chk.	Appvd.
R1	05/07/23	INFORMATION	HP	BC	BC
P2	05/09/23	INFORMATION	HP	BC	BC

Client:	Issue Register
SOPHIA HOUSING	

Job Description:  
25 UNITS AT ST. JOHN'S CONVENT RATHANGAN, Co. KILDARE

**INFORMATION**

Drawing Title:  
PROPOSED PUBLIC LIGHTING LAYOUT

Project No: 20ME015	Drawing Ref: ME-1000(C)	Rev: P2
Date: 05/07/2023	Scale: 1:250@A1 (1:500@A3)	
Drawn By: H.P.	Checked By: B.C.	Approved By: B.C.

**Hayes Higgins Partnership**  
Gas House Lane, Kilkenny.

The Architect, Gas House Lane, Kilkenny (051) 7164710 (050) 772323 info@hhp.ie  
100 Westmoreland Street, Dublin, D01 Y1Y0 (01) 6812211 admin@hayeshiggins.ie

- NOTES:**
- Ducting shall comply with latest version of BS EN 50086 and shall be single wall, coloured red and manufactured from high-density polyethylene. The nominal external diameter of the duct shall be 107mm with a minimum wall thickness of 5mm.
  - Each length of duct shall be stamped with the words "Public Lighting" or "Street Lighting", in 18mm black lettering repeated at 1-metre intervals.
  - Ducts shall be laid with the legend facing upwards, in a straight line, close to the line of the column locations and shall contain a continuous draw wire of 8 kN strength.
  - Sand should be used to backfill to 150mm above the top of the ducting.
  - A clearance of at least 100mm shall be allowed to the trench wall.
  - An identifying tape must be placed on top of the sand.
  - A minimum depth of 450mm cover is required in urban footways, grass margins, pedestrian ways, laneways and vehicular accesses; and a minimum depth of 750mm is required at road crossings or under roadways.
  - All sleeves to be in accordance with Section 11 and Appendix E of the "Construction Standards for Road and Street Works in Dublin City Council"

